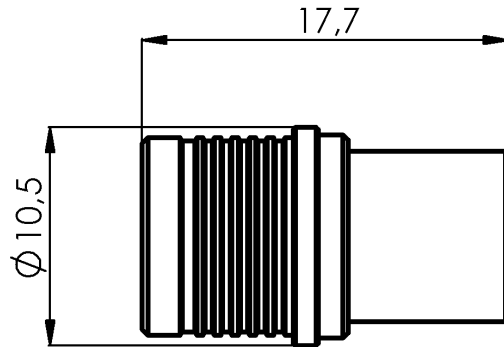


**QMA MALE TERMINATION**

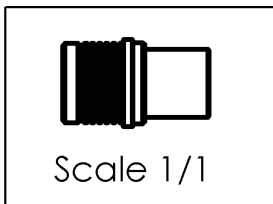
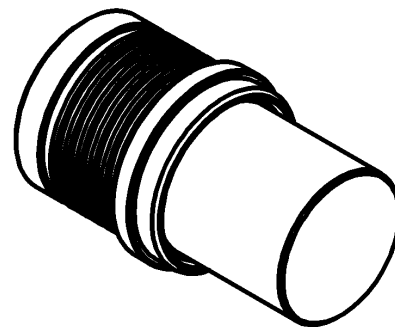
**1W ; 4GHZ**

**R404.114.000**

Series : **CHARGE**



Packaging by : 100  
 Single packaging : W option  
 Other : Contact us



dimensions are in mm.



COMPONENTS	MATERIALS	PLATINGS (µm)
<b>BODY</b>	BRASS	BBR 2
<b>CENTER CONTACT</b>	BRASS	GOLD 1.3 OVER COPPER 2.5
<b>OUTER CONTACT</b>	BRASS	BBR 2
<b>INSULATOR</b>	PTFE	
<b>GASKET</b>	-	
<b>OTHERS PARTS</b>	-	

Issue : 0602 E

In the effort to improve our products, we reserve the right to make changes judged to be necessary.



**QMA MALE TERMINATION**

**1W ; 4GHZ**

**R404.114.000**

Series : **CHARGE**

**ELECTRICAL CHARACTERISTICS**

Frequency	DC-1 GHz	1-2.5 GHz	2,5-4 GHz	GHz	GHz
V.S.W.R	≤1.08	≤1.20	≤1.25	≤	≤

Impedance 50 Ω  
 Average power at 25°C 1 W  
 Peak power at 25°C 100 W (1μs, 1%)

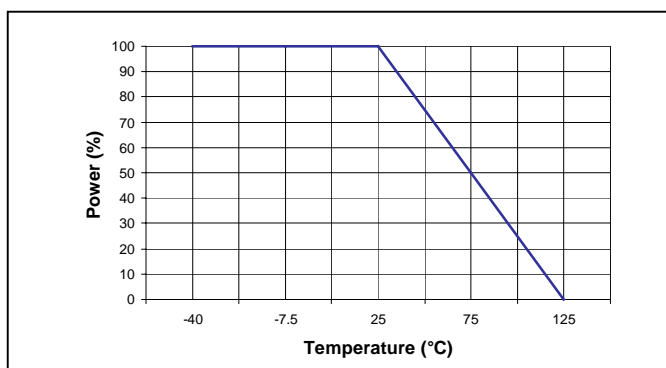
**MECHANICAL CHARACTERISTICS**

Connectors QMA Male  
 Weight 6,0520 g

**ENVIRONMENTAL**

Operating temperature range -40/+105 °C  
 Storage temperature range -40/+105 °C

Power derating  
 Versus temperature



**SPECIFICATION**

**OTHER CHARACTERISTICS**

Issue : 0602 E

In the effort to improve our products, we reserve the right to make changes judged to be necessary.

